

Prostore 800

1 Door Digital Refrigerator, 720lt (0/+10 °C) Marine

ITEM # _____

MODEL # _____

NAME # _____

SIS # _____

AIA # _____


691364 (PS06R1FM)

 1-door prostore Refrigerator
 720lt, 0+10°C, AISI 304 ,
 R134a- Marine

Short Form Specification

Item No. _____

Full door refrigerator constructed in 304 AISI stainless steel with external bottom panel in anti-corrosive material. Large digital display featuring humidity selection button (3 preset level), cabinet temperature display and setting and turbo frost cycle (to rapidly cool warm loads). HACCP-compliant control with alarms and history. Frost Watch Control to defrost only when required with automatic evaporation of defrost water. Optimized airflow provides even temperature distribution on all grids. Fitted with 65 mm-thick polyurethane insulating foam. Self-closing, on-site reversible door features microswitch to switch off the fan when the door is opened. Hidden evaporator to guarantee higher storage capacity and less corrosion problems. Built-in refrigeration unit; ventilated operation; Interior LED light. For ambient temperatures up to 43 °C. CFC and HCFC free. R134a ecological refrigerant type, cyclopentane gas in foam. Supplied with 4 x 700X530mm Rilsan coated grids and n. 4 sets of 2 stainless steel grid runners. Prearranged to fit RS485 port to facilitate connection to a remote computer and integrated HACCP systems.

Main Features

- Large digital white-digit display with humidity selection button (3 preset level), cabinet temperature display and setting and turbo frost cycle (to rapidly cool warm loads).
- Fully compliant HACCP digital control: when temperature exceeds critical limits, acoustic and visual alarms are activated. Up to two months of event are kept in memory.
- Large storage area suitable to contain 700x530 mm grids to improve net capacity.
- Optimized airflow within the chamber guarantees uniformity of temperature on all grids.
- Hidden evaporator thus guaranteeing higher storage capacity and less corrosion problems.
- Greater storage space: internal structure with numerous charging positions available to host grids, ensuring higher net capacity.
- Adjustable temperature range from 0°C to +10°C.
- Model requires only 1 phase 230V/50Hz supply and can be plugged straight into an existing power socket.
- Prearranged to fit RS485 port to facilitate connection to a remote computer and integrated HACCP systems.
- Complies with main international certification bodies and is CE marked.
- Prearranged for remote alarm.
- Low noise level.
- Self closing and on site reversible left/right doors.
- IPX5 frontal water protection.
- Connectivity ready for real time access to connected appliances from remote and data monitoring (requires optional accessory).
- This appliance is intended for use in ambient temperatures up to 40°C.

APPROVAL: _____

Construction

- Stainless steel AISI 304 external panels (galvanized external back).
- Inner cell with rounded corners, bottom pressed in only one piece.
- Stainless steel runners and supports easily disassembled.
- Internal components removable without the use of tools to facilitate cleaning operations.
- Pressed stainless steel door handle without joints gathering dust and dirt.
- Easy access to the main components for maintenance.
- Developed and produced in ISO 9001 and ISO 14001 certified factory.
- Lockable door.

Sustainability



- Frost Watch Control: fully automatic defrost starts only when ice is actually building-up in the evaporator and adapt the defrosting duration to guarantee perfect ice removal while optimizing energy efficiency consumption.
- CFC and HCFC free (ecological refrigerant type: R134a, - gas in foam: cyclopentane).
- Insulation thickness: 65 mm of polyurethane injected with ecological foaming gas cyclopentane to ensure effective insulation with minimum energy consumption (thermal conductivity: 0,020 W/m*K).
- Removable triple-chamber balloon magnetic gasket to improve insulation and reduce energy consumption and ease of cleaning.
- Cleaning-free condenser: the structure of the wire frame condenser prevents dust and grease accumulation thus avoiding periodical cleaning operations and reducing energy consumption.
- Optical door microswitch to stop the fan once the door is opened, thus minimizing energy waste.
- Interior LED light to save energy and for best internal visibility.
- Automatic evaporation of the defrosting water by hot gas on the top for energy saving.

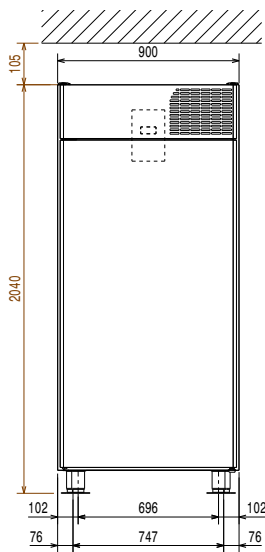
Included Accessories

- 4 of Pair of runners for 470 and 720lt prostore cabinets PNC 880335
- 4 of Plastic-coated grid 700x530mm for PNC 880343 Prostore 720l

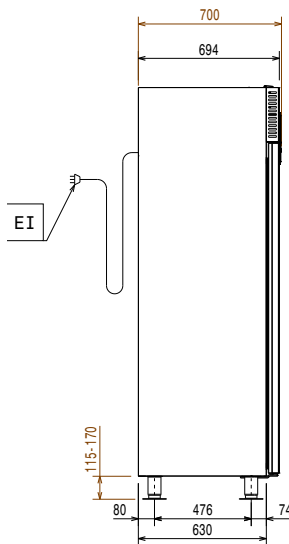
Optional Accessories

- Stainless steel grid 2/1GN for prostore cabinets PNC 880160
- 2/1GN Plastic-coated grid PNC 880306
- Pair of runners for GN 2/1 grids, for prostore cabinets PNC 880320
- Stainless steel grid (700x530) PNC 880323
- Pedal opening for cabinets PNC 880324
- Kit 4 feet, height 200mm PNC 880325
- Kit of 4 feet-h=67 (marine) PNC 880326
- Kit pair of runners (marine) PNC 880327
- Pair of runners for 470 and 720lt prostore cabinets PNC 880335
- Plastic-coated grid 700x530mm for Prostore 720l PNC 880343

Front

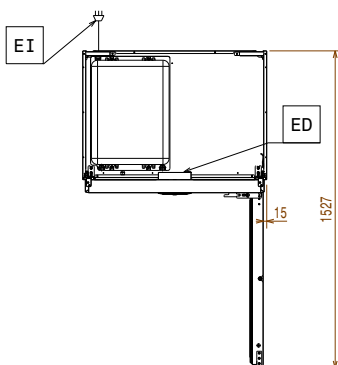


Side



EI = Electrical inlet (power)

Top



Electric

Supply voltage:
 691364 (PS06R1FM) 220-240 V/1 ph/50 Hz
 Electrical power max.: 0.28 kW

Key Information:

Gross capacity: 720 lt
 Net Volume: 508 lt
 Door hinges: Right Side
 External dimensions, Width: 900 mm
 External dimensions, Depth: 700 mm
 External dimensions, Depth with Doors Open: 1527 mm
 External dimensions, Height: 2040 mm
 Number and type of doors: 1 Full
 Internal Dimensions, Width: 772 mm
 Internal Dimensions, Depth: 582 mm
 Internal Dimensions, Height: 1471 mm
 Height adjustment: 15/40 mm
 Number and type of grids (included): 4 - 530x700
 Type of external material: 304 AISI
 Type of internal material: 304 AISI
 Number of positions & pitch: 44; 22 mm

Refrigeration Data

Control type: Digital
 Compressor power: 1/4 hp
 Refrigeration power at evaporation temperature: -10 °C
 Operating temperature min.: 0 °C
 Operating temperature max.: 10 °C
 Operating mode: Ventilated
 Cooling unit: Built-In
 Defrost type: By Air

Product Information (EU Regulation 2015/1094)

Type of model (EU Reg. 2015/1094): vertical chilled

ISO Certificates

ISO Standards: ISO 9001; ISO 14001; ISO 45001; ISO 50001

Sustainability

Energy Class (EU Reg. 2015/1094):

Yearly and daily energy consumption (EU Reg. 2015/1094):

Climate class (EU Reg. 2015/1094):

Energy Efficiency Index-EEI (EU Reg. 2015/1094):

Noise level: 52 dBA

Refrigerant type: R134a

Refrigeration power: 358 W

Refrigerant weight: 180 g

Prostore 800
 1 Door Digital Refrigerator, 720lt (0/+10 °C) Marine

The company reserves the right to make modifications to the products without prior notice. All information correct at time of printing.